

Hybrid Coupler

4-Port 3dB Hybrid Coupler

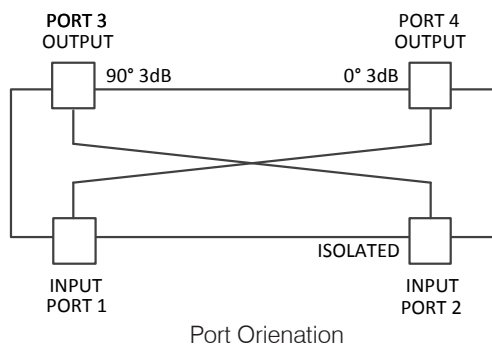
380-2700MHz
SP3827-2203-DIN



The 4-Port 3dB Hybrid Coupler covers UHF PMR and cellular bands from 380-2700MHz with a low Passive Inter-Modulation, high Peak Instantaneous Power and high environmental IP rating. Typically used to combine either in-band carriers or carriers across multiple bands to be fed into antenna feeders or In-Building leaky feeder or in-building Distributed Antenna Systems. Designed to IP65 the Hybrid Coupler can be used in both indoor and outdoor applications

Features:

- Broadband 380-2700MHz covering UHF PMR and cellular bands.
- Low Insertion Loss
- High Isolation (Ports 1 & 2) across full bandwidth >23dB
- Suitable for use in high power multi-carrier transmission systems
- Manufactured to a low PIM $\leq -150\text{dBc}$ rating (3rd Order 2x43dBm carriers).
- PIP Rating of 3kW
- Average Power rating of 200W
- Environmental IP 65 rating



Specifications

Model Number	SP3827-2203-DIN
Frequency Range	380-2700MHz
Coupling (Port 3 & 4)	3.1dB (+/- 0.8dB)
Isolation (Ports 1 & 2).	> 23dB
Return Loss	> 18dB
Average Power Rating	200W
Peak Power Rating (PIP)	3kW
PIM (3rd Order 2x43dBm)	$\leq -150\text{dBc}$
Impedance	50 Ohms
Connector Type (all termination ports)	7.16 DIN (F)
IP Rating	IP65
Finish	Black - Painted
Mounting	4 x 4.0mm / 1/8" slots on mounting flange
Dimensions (excl connectors)	H 41.5mm x W 216.05mm x D 58.4mm / H 1.63"x W 8.5"x D 2.3"
Weight	1.4kgs / 3.08lbs
Temperature	-40° to +60° C / -40° to +140° F

Ordering Information	Description
SP3827-2203-DIN	4-Port 3dB Hybrid Coupler 380-2700MHz 7.16 DIN (F)